

Masport® Heating

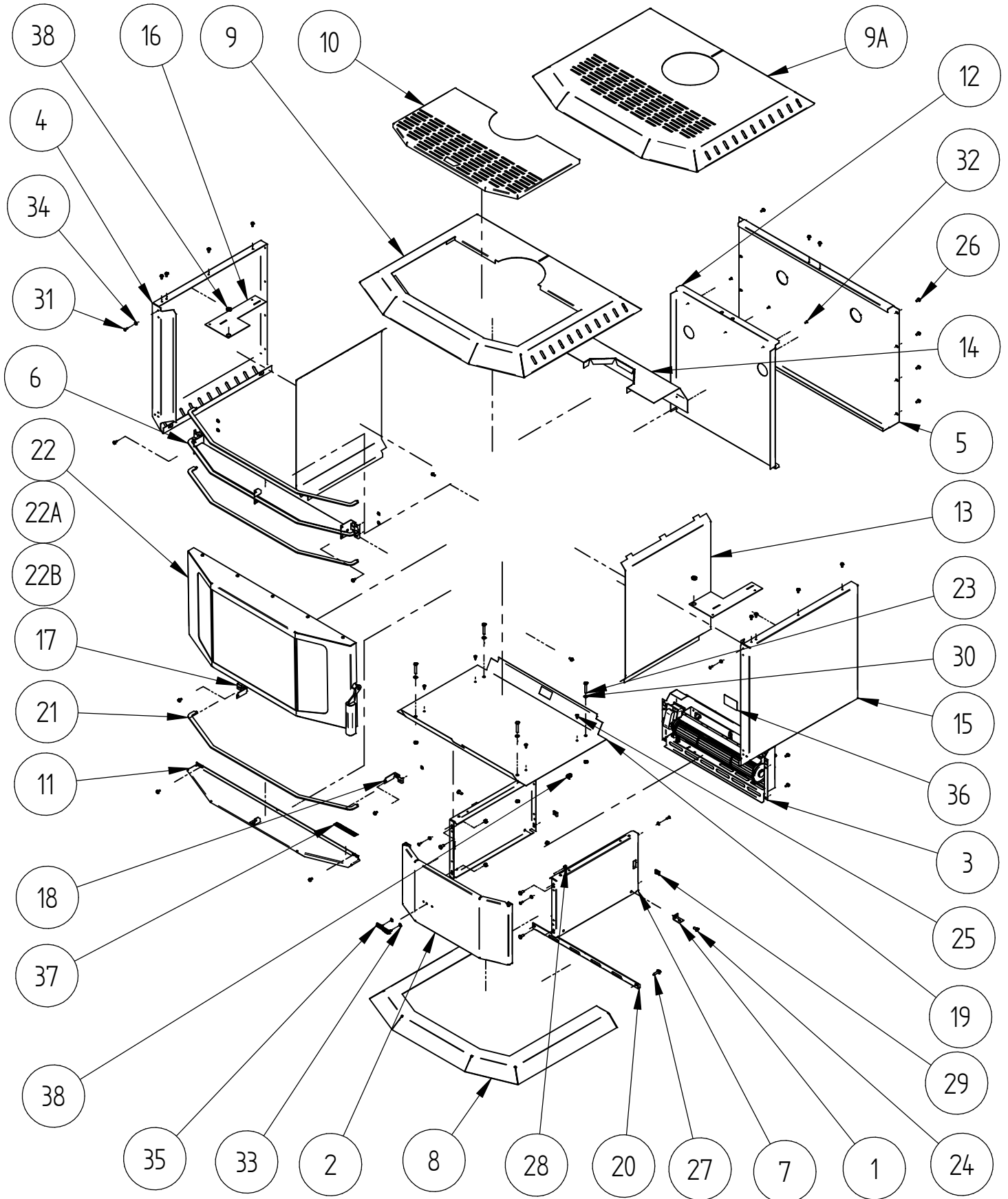
FREESTANDING WOOD FIRES

F12000 - AUSTRALIA

Item No.	MARKET	FUEL TYPE	FINISH	YEAR	FAN
995961	AU	HARDWOOD	Gloss Black Enamel	Oct-2011	Yes
995962			Matt Black Enamel		
995963			Charcoal VHT Paint		
995957			Charcoal VHT Paint	Sep-2013	
995958			Matt Black Enamel		



PANELS, DOOR AND PEDESTAL (Pre 2013)

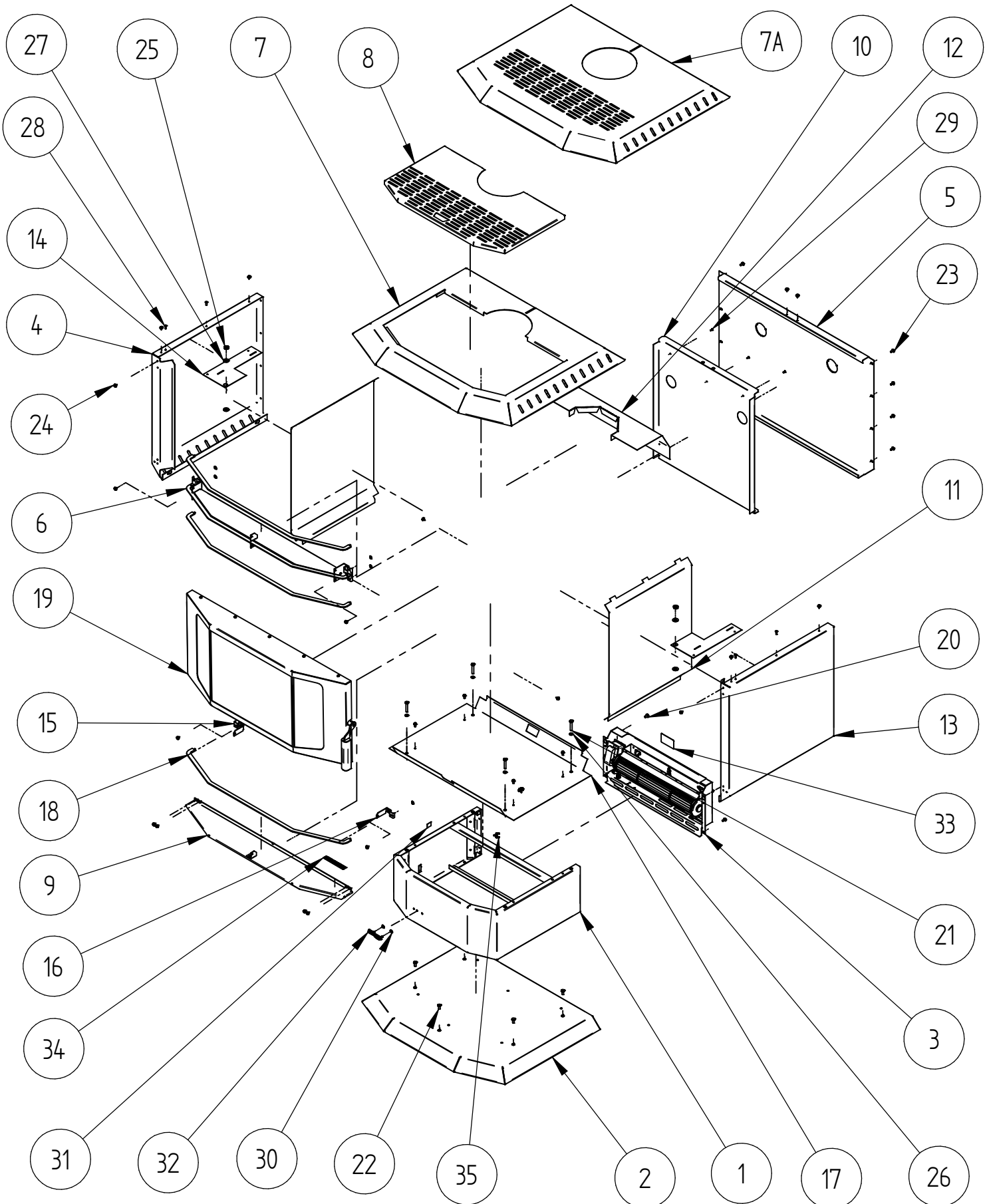


When ordering PLEASE QUOTE PART ID along with Finish Suffix (if applicable)

PANELS, DOOR AND PEDESTAL (Pre-2013)						
Item	Part ID	Model(s)			Description	Qty
		995961	995962	995963		
1	986413	-	-	-	BRACKET - SEISMIC RESTRAINT	2
2	995217	P05	P02	P03	PANEL PED, FRONT PANORAMA	1
3	994781	P05	P05	P03	FAN ASSY COMPL FER GAS F10000 BLK PC	1
4	995512	E02	E01	V03	PANEL - SIDE, LH GRANDVIEW	1
5	995513	P05	P02	P03	PANEL - REAR, GRANDVIEW	1
6	995514	V02	V02	V03	GRILLE ASSY-GRANDVIEW CHAR VHT	1
7	995518	P05	P02	P03	PANEL - PEDESTAL SIDE, GRANDVIEW	2
8	995520	P05	P02	P03	PANEL- FOOT GRANDVIEW CHAR P/C	1
9	995768	E02	E01	-N/A.-	F10000R PANEL ASSY TOP	1
9A	995921	-N/A.-	-N/A.-	V03	PANEL-TOP,GRANDVIEW	1
10	995769	E02	E01	-N/A.-	REMOVABLE TOP ASSY - F10000R	1
11	995525	E02	E01	V03	PANEL ASS'Y FRONT, GRANDVIEW	1
12	995528	-	-	-	HEATSHIELD-BACK GRANDVIEW	1
13	995529	-	-	-	HEATSHIELD-SIDE GRANDVIEW	2
14	995771	-	-	-	FLUE DEFLECTOR F10000	1
15	995533	E02	E01	V03	PANEL - SIDE, RH GRANDVIEW	1
16	995536	-	-	-	BRACE - TOP, SIDE PANEL	2
17	995537	V02	V02	V03	BRACKET MOUNT GRILL BAR LH	1
18	995538	V02	V02	V03	BRACKET MOUNT GRILL BAR RH	1
19	995540	-	-	-	HEATSHIELD - BOT, GRANDVIEW	1
20	995612	P05	P02	P02	BRACKET - SE IS RESTRAINT GVIEW	1
21	995629	S03	V04	V04	BLADE-GRILLE,GRANDVW TITANIUM VHT	3
22	995763	-N/A.-	-N/A.-	-		1
22A	995766	-N/A.-	-	-N/A.-	DOOR ASSY COMPL,3- GLASS (Sss door page)	1
22B	995784	-	-N/A.-	-N/A.-		1
23	521060	-	-	-	SCREW; M6X35 HEX ZP	4
24	521075	-	-	-	SCREW; M6X12 HEX ZP	6
25	521605	-	-	-	SCREW; S/T 10GX1/2" PAN POZI ZP	4
26	521620	-	-	-	SCREW; S/T 10GX3/8" HEX FLANGE SLOT BLK	32
27	521637	-	-	-	SCREW; S/T 12GX25 TIMBERTITE	2
28	522117	-	-	-	NUT; HEX STD M6 ZP	10
29	522402	-	-	-	NUT; SPIRE SNU0537	2
30	523031	-	-	-	WASHER; FLAT M6 ZP	4
31	524006	-	-	-	RIVET; 73 AS 5-5	6
32	524010	-	-	-	RIVET; 73 AS 4-3 LONG	3
33	526001	-	-	-	CLIP; STARLOCK 4 DIA SLP04	8
34	586149	-	-	-	SPACER-FRONT PANEL	6
35	587836	-	-	-	BADGE MASPORT CAST	1
36	594786	-	-	-	DECAL FAN OPERATION	1
37	595695	-	-	-	DECAL "BURN ONLY" COMBINED NZ/AUS	1
38	993789	-	-	-	EARTH CONNECTION SET	1
38	522118				NUT; HEX STD M8 ZP	2

When ordering PLEASE QUOTE PART ID along with Finish Suffix (if applicable)

PANELS, DOOR AND PEDESTAL (2013 Onwards)



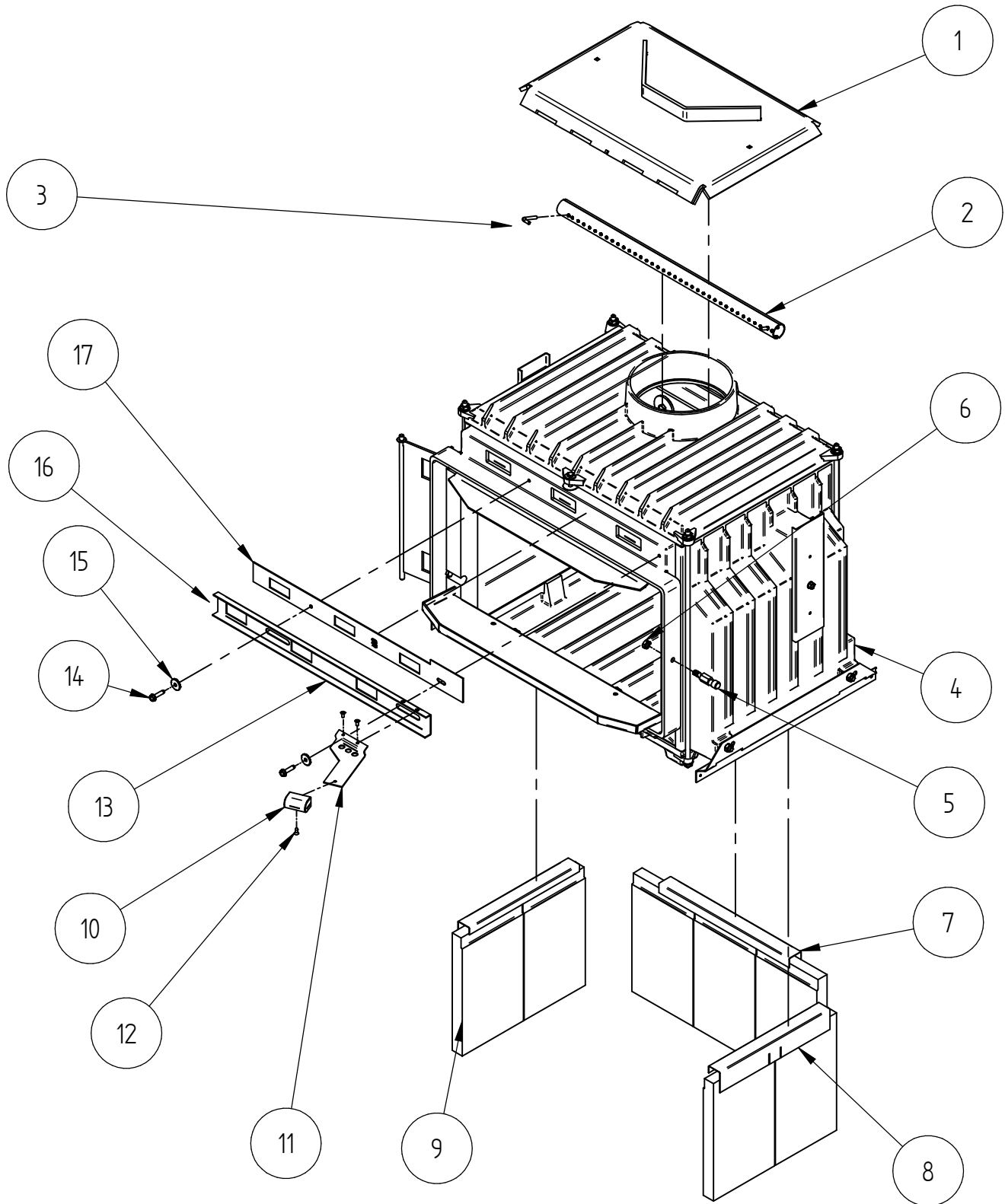
When ordering PLEASE QUOTE PART ID along with Finish Suffix (if applicable)

PANELS, DOOR AND PEDESTAL (2013 Onwards)					
Item	Part ID	Model(s)		Description	Qty
		995957	995958		
1	995223	P03	P02	F12000, PEDESTAL WELDED	1
2	995225	P03	P02	F12000 BASE WELDED	1
3	994781	P03	P02	FAN ASSY COMPL FERGAS F10000 BLK PC	1
4	995512	V03	E01	PANEL - SIDE, LH GRANDVIEW	1
5	995513	P03	P02	PANEL - REAR, GRANDVIEW	1
6	995514	V03	V02	GRILLE ASSY-GRANDVIEW CHAR VHT	1
7	995768	-N/A.-	E01	F10000R PANEL ASSY TOP	1
7A	995521	V03	-N/A.-	PANEL-TOP,GRANDVIEW	1
8	995769	-N/A.-	E01	REMOVABLE TOP ASSY - F10000R	1
9	995525	V03	E01	PANEL ASSY FRONT, GRANDVIEW	1
10	995528	-	-	HEATSHIELD-BACK GRANDVIEW	1
11	995529	-	-	HEATSHIELD-SIDE GRANDVIEW	2
12	995771	-	-	FLUE DEFLECTOR F10000	1
13	995533	V03	E01	PANEL - SIDE, RH GRANDVIEW	1
14	995536	-	-	BRACE - TOP, SIDE PANEL	2
15	995537	V03	V02	BRACKET MOUNT GRILL BAR LH	1
16*	995538	V03	V02	BRACKET MOUNT GRILL BAR RH	1
17	995540	-	-	HEATSHIELD - BOT, GRANDVIEW	1
18*	995629	V04	V04	BLADE-GRILLE,GRANDVW TITANIUM VHT	3
19	995763	-	-N/A.-	DOOR ASSY COMPL (See door page)	1
19A	995766	-N/A.-	-	DOOR ASSY COMPL (See door page)	1
20	521045	-	-	SCREW; M6X10 PAN POZI BLK	2
21	521060	-	-	SCREW; M6X35 HEX ZP	4
22	521075	-	-	SCREW; M6X12 HEX ZP	5
23	521620	-	-	SCREW; S/T 10GX3/8" HEX FLANGE SLOT BLK	14
24	521635	-	-	SCREW; S/T 10GX3/8" HEX FLANGE BLK	20
25	522118	-	-	NUT; HEX STD M8 ZP	2
26	523031	-	-	WASHER; FLAT M6 ZP	4
27	523034	-	-	WASHER; FLAT M8X19X1.6 ZP	4
28	524006	-	-	RIVET; 73 AS 5-5	4
29	524010	-	-	RIVET; 73 AS 4-3 LONG	3
30	526001	-	-	CLIP; STARLOCK 4 DIA SLPO4	8
31	585631	-	-	DECAL EARTH	1
32	587836	-	-	BADGE MASPORT CAST	1
33	594786	-	-	DECAL FAN OPERATION	1
34	595695	-	-	DECAL "BURN ONLY" COMBINED NZ/AUS	1
35	596603	-	-	EARTH TAB RIVET BN11	1
36*	993789	-	-	EARTH CONNECTION SET	1

*Alternative Kit

When ordering PLEASE QUOTE PART ID along with Finish Suffix (if applicable)

AIRSLIDE, BAFFLE, BRICKS AND FIREBOX (Pre-2013)

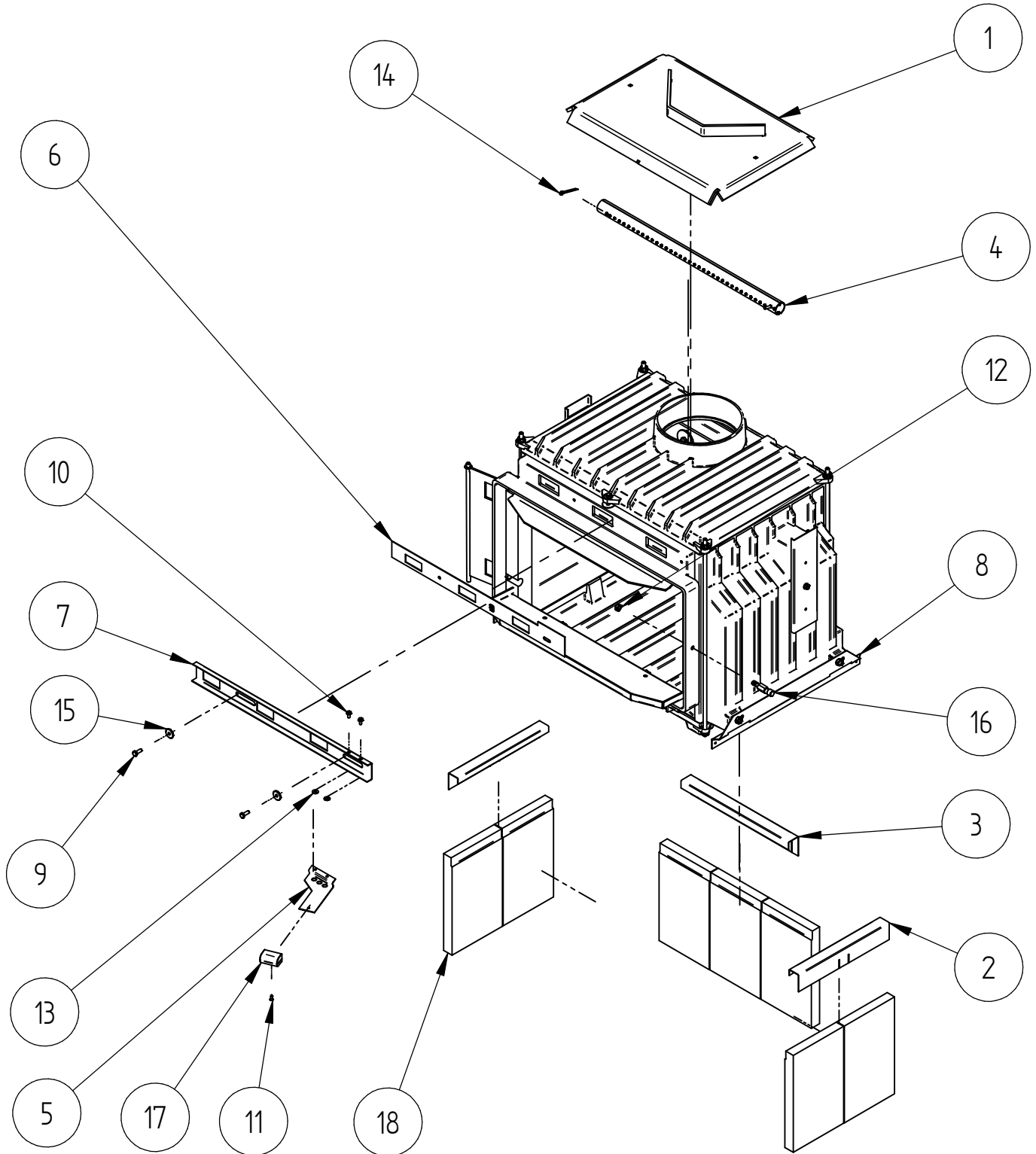


When ordering PLEASE QUOTE PART ID along with Finish Suffix (if applicable)

AIRSLIDE, BAFFLE, BRICKS AND FIREBOX (Pre-2013)						
Item	Part ID	Model(s)			Description	Qty
		995961	995962	995963		
1	993436	V02	V02	V02	BAFFLE ASSY F7000	1
2	993440	-	-	-	TUBE-SEC AIR ASSEMBLY	1
3	586439	-	-	-	PIN-RETAINING	1
4	995733	-	-	-	F/B ASSY GRANDVIEW	1
5	595545	-	-	-	PIN-DOOR LATCH GRANDVIEW	1
6	522118	-	-	-	NUT, HEX STD M8 ZP	1
7	987146	-	-	-	CHANNEL BRICK RETAINER LE7000	1
8	994258	-	-	-	CHANNEL BRICK RETAINER F2000	2
9	MIC00354	-	-	-	MIC LOGAIRE BRICK	7
10	986162	-	-	-	KNOB-AIR CONTROL WOODFIRE	1
11	995551	-	-	-	AIR SLIDE EXTENSION GRANDVIEW	1
12	521642	-	-	-	SCREW, S/T 8GX1/2" CSK POZI ZP	1
13	524011	-	-	-	RIVET, 73 MS 5-3	4
14	521633	-	-	-	SCREW; S/T M6X25 HEX FLANGE TAPTITE	2
15	MIC00083	-	-	-	LOGAIRE METRO AIR SLIDE SPACER	2
16	995781	-	-	-	SLIDE - AIR INLET F12000	1
17	995783	-	-	-	PLATE - BACK METERING F12000	1

When ordering PLEASE QUOTE PART ID along with Finish Suffix (if applicable)

AIRSLIDE, BAFFLE, BRICKS AND FIREBOX (2013 Onwards)

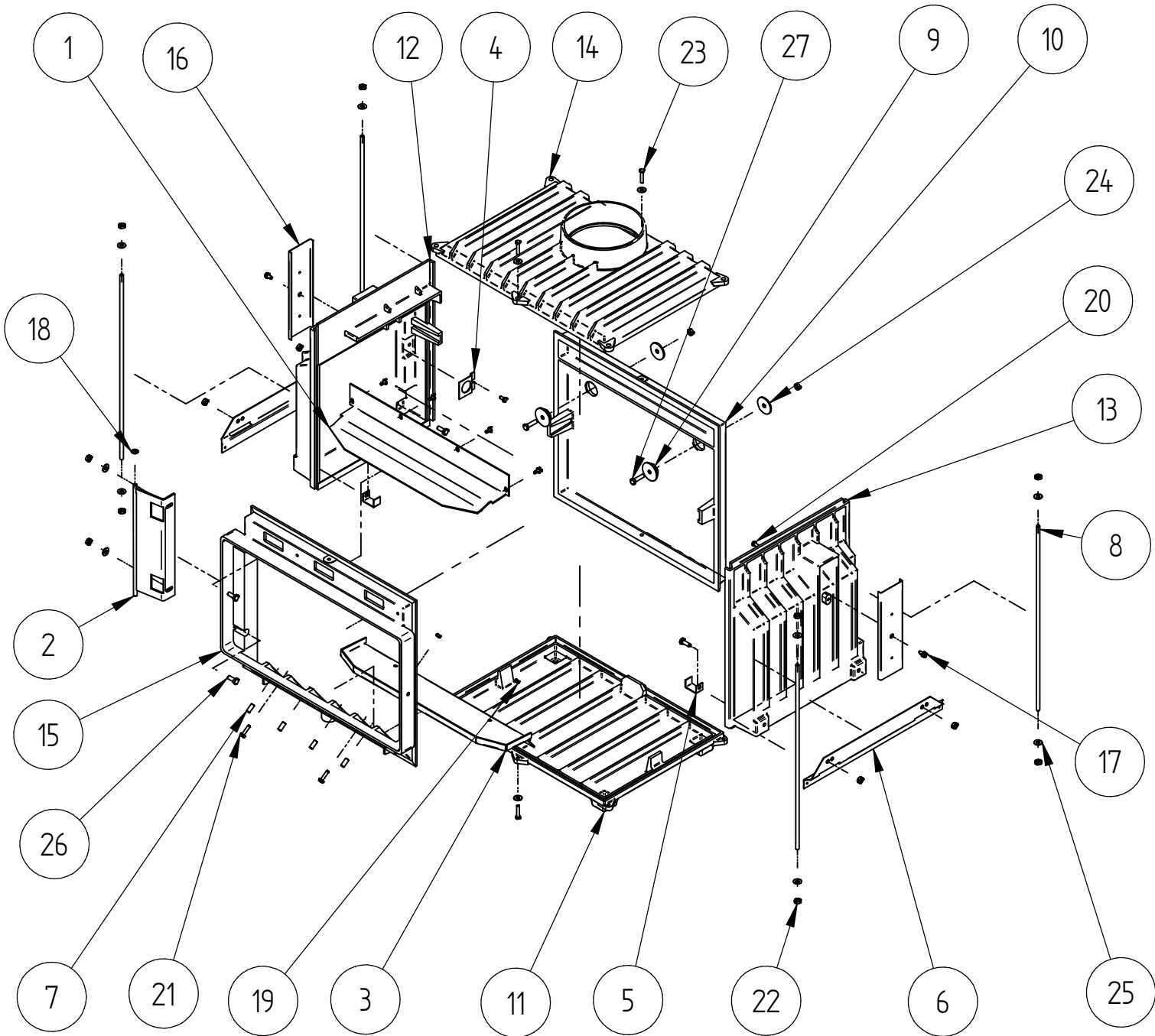


When ordering PLEASE QUOTE PART ID along with Finish Suffix (if applicable)

AIRSLIDE, BAFFLE, BRICKS AND FIREBOX (2013 Onwards)					
Item	Part ID	Model(s)	Model(s)	Description	Qty
		995957	995958		
1	993436	V02	V02	BAFFLE ASSY STL F7000	1
2	994258	-	-	CHANNEL BRICK RETAINER F2000	2
3	987146	-	-	CHANNEL - BRICK RETAINER LE7000	1
4	993440	-	-	TUBE-SEC AIR,65X3.5 LE7/TO S/S	1
5	995551	-	-	AIR SLIDE EXTENSION GRANDVIEW	1
6	995783	-	-	F12000 PLATE - METERING 'F12' I.D. HOLES	1
7	995781	-	-	SLIDE - AIR INLET F12000	1
8	995733	-	-	F/B ASSY GRANDVIEW	1
9	521052	-	-	SCREW; M6X16 HEX BLK	2
10	521620	-	-	SCREW; S/T 10GX3/8" HEX FLANGE SLOT BLK	2
11	521642	-	-	SCREW; S/T 8GX1/2" CSK POZI ZP	1
12	522118	-	-	NUT; HEX STD M8 ZP	1
13	523000	-	-	WASHER; FLAT 3/16"X1/2"X18G ZP	2
14	525105	-	-	COTTER PIN 5.0X40 ZP	1
15	MIC00083	-	-	LOGAIRE METRO AIR SLIDE SPACER	2
16	595545	-	-	PIN-DOOR LATCH GRANDVIEW	1
17	986162	-	-	KNOB-AIR CONTROL WOODFIRE	1
18	MIC00354	-	-	MIC BRICK	7

When ordering PLEASE QUOTE PART ID along with Finish Suffix (if applicable)

FIREBOX DETAILS

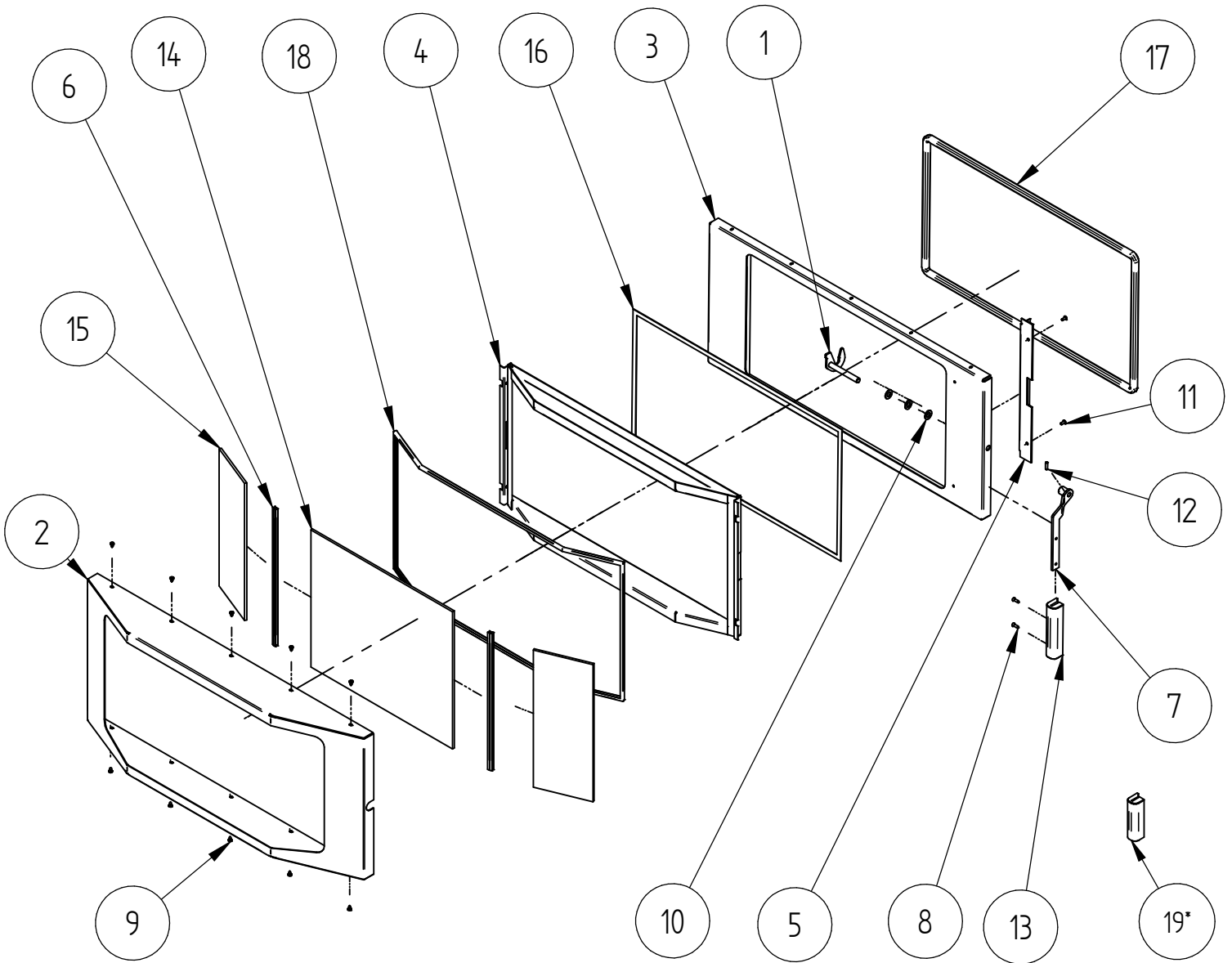


When ordering PLEASE QUOTE PART ID along with Finish Suffix (if applicable)

FIREBOX : 995733					
Item	Part ID	Model(s)		Description	Qty
		995957	995958		
1	995229	-	-	DEFECTOR - PRIMARY AIR, PANARAMA	1
2	995522	-	-	HINGE ASSY GRANDVIEW	1
3	995524	V02	V02	WELD ASH RETAINER GRANDVIEW ASSEMBLY	1
4	995541	-	-	BRACKET-RETAIN	2
5	995542	-	-	BRKT-BOARD D/D GDVW	2
6	995548	-	-	BRACKET MOUNTING CABINET	2
7	525007	-	-	PIN; TENSION 8X20 BLK BISSELL 001791	4
8	587108	-	-	ROD; TIE M8X 510	4
9	684089	-	-	PLUG, 34DIAPITTS/FATSO/WFIRE	2
10	687103	-	-	F/B BACK LE7&PR/CLRDO/GDVW/TOR	1
11	687104	-	-	F/B BOTTOM LE7/CLRDO/GNDVW/TOR	1
12	695517	-	-	F/B SIDE LH	1
13	695522	-	-	F/B SIDE RH	1
14	695544	-	-	FIREBOX TOP GRANVIEW	1
15	695558	-	-	F/B FRONT GRANDVIEW	1
16	986146	-	-	COVER - SECONDARY AIR	2
17	521601	-	-	SCREW; S/T 1/4"X1/2" HEX FLANGE ZP	6
18	523019	-	-	WASHER; FLAT 5/16"X5/8"X16G ZP	1
19	522117	-	-	NUT; HEX STD M6 ZP	2
20	521075	-	-	SCREW; M6X12 HEX ZP	2
21	521633	-	-	SCREW; S/T M6X25 HEX FLANGE TAPTITE	2
22	522118	-	-	NUT; HEX STD M8 ZP	16
23	521059	-	-	SCREW; M6X30 HEX ZP	4
24	523035	-	-	WASHER; FLAT M8X22X3 HVY ZP	2
25	523034	-	-	WASHER; FLAT M8X19X1.6 ZP	14
26	521066	-	-	SCREW; M8X20 HEX ZP	6
27	521068	-	-	SCREW; M8X30 HEX ZP	2

When ordering PLEASE QUOTE PART ID along with Finish Suffix (if applicable)

DOOR ASSEMBLY



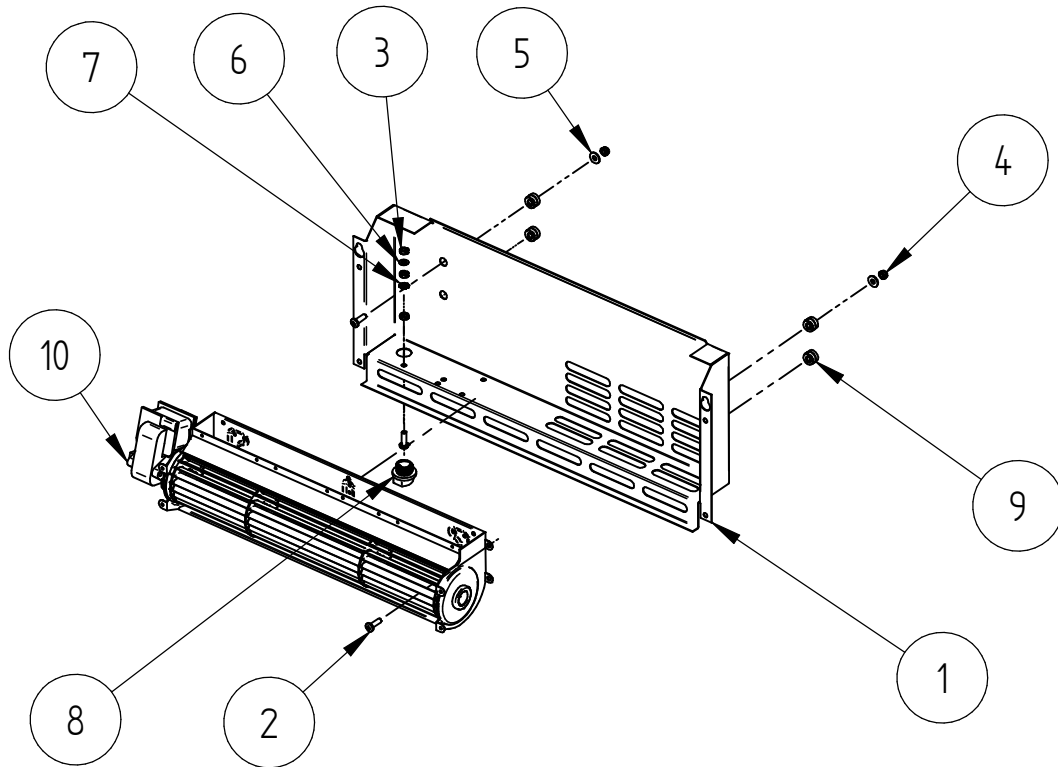
When ordering PLEASE QUOTE PART ID along with Finish Suffix (if applicable)

DOOR ASSEMBLY

Item	Part ID	Model(s)					Description	Qty
		995957	995963	995958	995962	995961		
		995763		995766		995784		
1	986630	-	-	-	-	-	LATCH DOOR ASSY 10MM BLK ZINC	1
2	995502	V03	V03	E01	E01	E02	COVER DOOR, F12000	1
3	995503	V02	V02	V02	V02	V02	PANEL-DOOR ASSY,GRANDV. MET BLK VHT	1
4	995504	V04	V04	V02	V02	V02	FRAME ASSY-GLASS,GROVW MET BLK VHT	1
5	995511	V02	V02	V02	V02	V02	CHANNEL ASSY-ROPE,HINGE GVW MET BLK VHT	1
6	995760	V03	V03	V02	V02	V02	TRIM - GLASS ASSEMBLY, GRANDVIEW	2
7	995765	-	-	-	-	-	HANDLE-ASSY,GRANDVIEW FERROMOLY	1
8	521628	-	-	-	-	-	SCREW; S/T 8GX5/8" CSK POZI ZP	2
9	521630	-	-	-	-	-	SCREW; S/T 8GX5/16" POZI PAN BLK	10
10	523021	-	-	-	-	-	WASHER; FLAT M10X19X1.6 ZP	3
11	524011	-	-	-	-	-	RIVET; 73 MS 5-3	2
12	525001	-	-	-	-	-	PIN; TENSION 4X16 BLK	1
13	593330	-	-	-	-	-	HANDLE, DOOR, WOOD - LE4000, 4.0mm	1
14	595761	-	-	-	-	-	GLASS-W/F G/VIEW 5X336X389, N-ZERO	1
15	595762	-	-	-	-	-	GLASS-W/F G/VIEW 5X336X177, N-ZERO	2
16	C10MMGT	-	-	-	-	-	GLASS FIBRE TAPE 10x3x5	1
17	C15MMDR	-	-	-	-	-	DOOR ROPE	1
18	C30MMLT	-	-	-	-	-	LADDER TAPE 25x3x50m ROLL (MTR)	1
19*	793330	-	-	-	-	-	DOOR HANDLE KIT	1

*Optional Sale Kit

FAN BOX ASSEMBLY

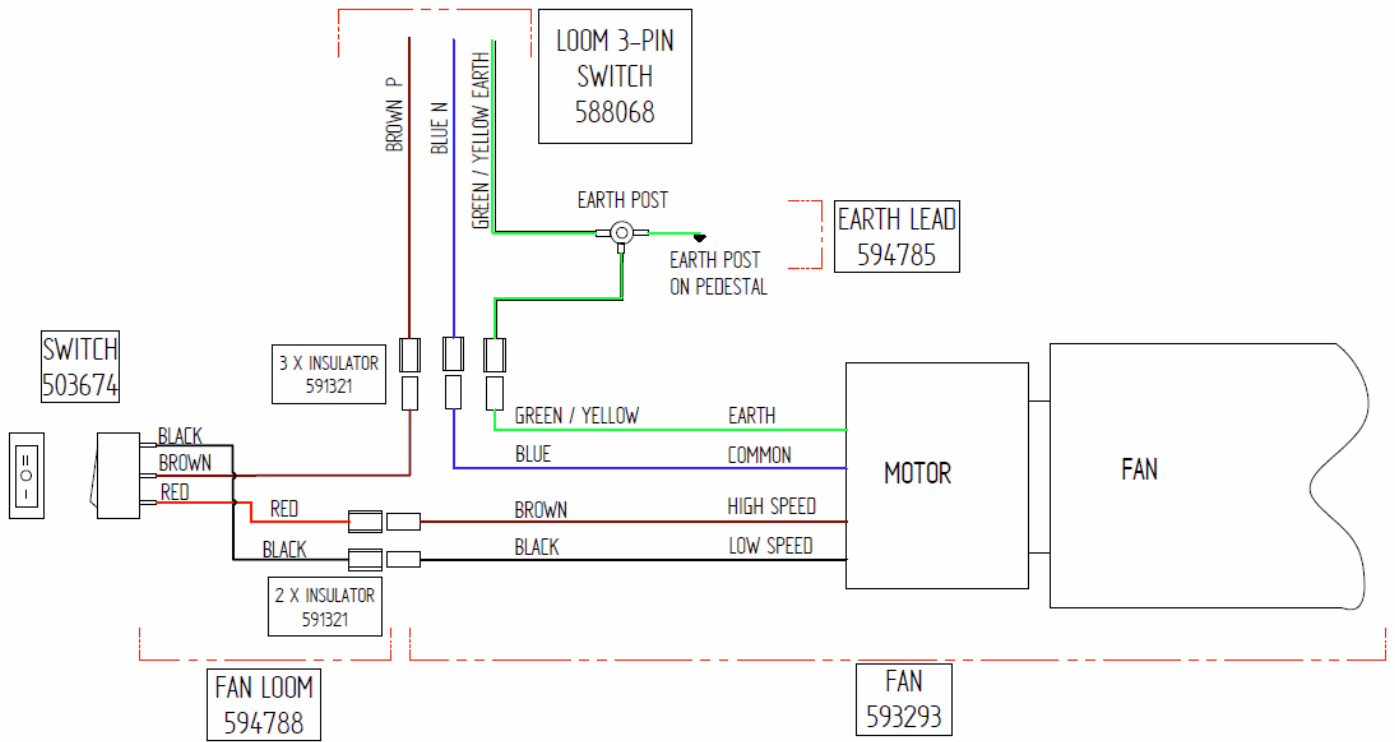


F10000/F12000 FAN BOX ASSEMBLY

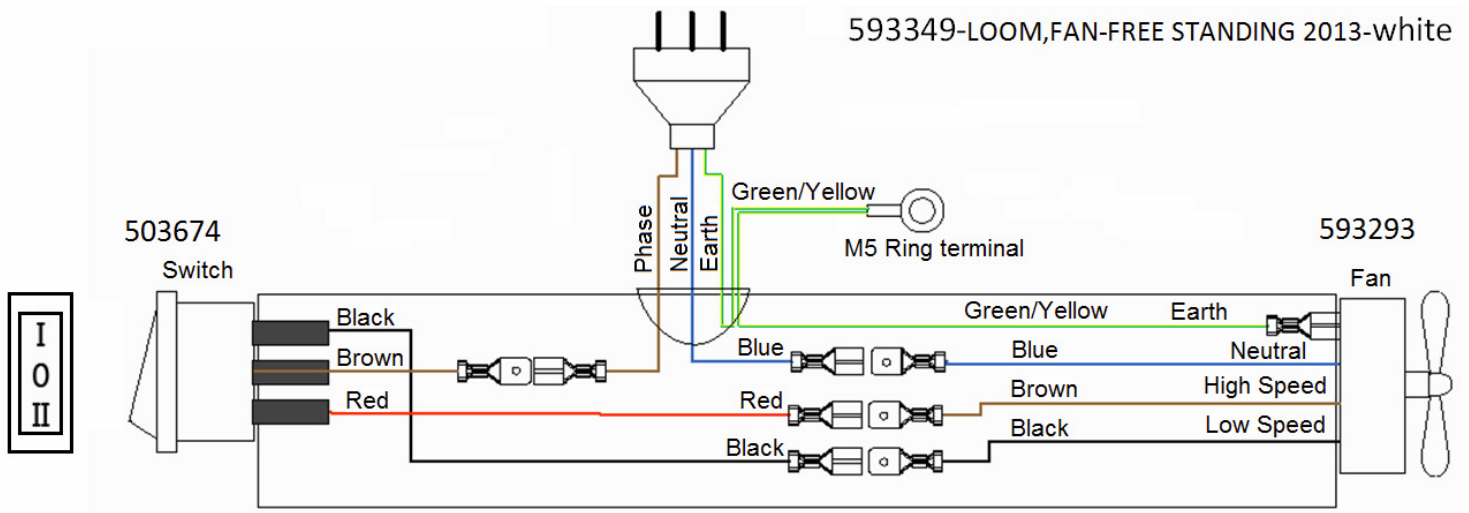
Item	Part ID	Model(s)					Description	Qty
		995957	995963	995958	995962	995961		
		994781P03		994781P02		994781P05		
1	994782	P03	P03	P02	P02	P05	PANEL REAR FAN F10000	1
2	521033	-	-	-	-	-	SCREW; M5X16 PAN POZI BLK	3
3	522106	-	-	-	-	-	NUT; HEX STD M5 ZP	2
4	522305	-	-	-	-	-	NUT; NYLOCK M5 ZP	3
5	523000	-	-	-	-	-	WASHER; FLAT 3/16"X1/2"X18G ZP	2
6	523028	-	-	-	-	-	WASHER; FLAT M5 BRS	1
7	523204	-	-	-	-	-	WASHER; STAR M5 EXT	1
8	529201	-N/A-	-N/A-	-N/A-	-N/A-	-	CLAMP; CABLE 16 LITTLE GRIPPER	1
9	529402	-	-	-	-	-	GROMMET; 14X6	4
10	593289	-	-	-	-	-	FAN-2 SP TANG W/F INB FERGAS 76082	1

When ordering PLEASE QUOTE PART ID along with Finish Suffix (if applicable)

FAN LOOM DIAGRAM



FAN WIRING DIAGRAM W/F FREESTANDING 2011-2013 (AUSTRALIAN MODELS ONLY)



FAN WIRING DIAGRAM W/F FREESTANDING 2013 ONWARDS

When ordering PLEASE QUOTE PART ID along with Finish Suffix (if applicable)

NOT ILLUSTRATED

Item	Part ID	Model(s)					Descriptions	Qty
		995961	995962	995963	995957	995958		
1	595801	-	-	-	-	-	INSTRUCTION - BRICK LAYOUT	1
2	593286	-	-	-	-	-	OWNER MANUAL WOODFIRES 2010	1
3	593287	-	-	-	-	-	INSTALL MANUAL WOODFIRES 2010	1
4	595772	-	-	-	-	-	INSTALLATION DATA SHEET F10000	1
5	995575	-	-	-N/A.-	-N/A.-	-	F10/F12 COOK TOP GRILL	1

SURFACE FINISH CODES FOR PANELS

VITREOUS ENAMEL		VHT PAINT(Very High Temp)			POWDER COAT	
E01	MATT BLACK	V02	P-000022	METALLIC BLACK	P02	MATT BLACK
E02	GLOSS BLACK	V03	P-000043	CHARCOAL	P03	CHARCOAL
E03	CHARCOAL	V04	P-000081	TITANIUM	P05	SATIN BLACK
		V05	P-000051	CHARCOAL (DAM MET BLK)	P09	METTALIC BLACK
		V06	P-000052	METALLIC BLACK ZINC		

LESS FREQUENTLY OR OLD SURFACE FINISH CODES FOR PANELS

VITREOUS ENAMEL		VHT PAINT(Very High Temp)			POWDER COAT	
E04	JASMINE	V01		SATIN BLACK HIGH TEMP	P01	BLUE/BLACK
					P04	GLOSS CHARCOAL
					P07	FLAT BLACK

When ordering PLEASE QUOTE PART ID along with Finish Suffix (if applicable)